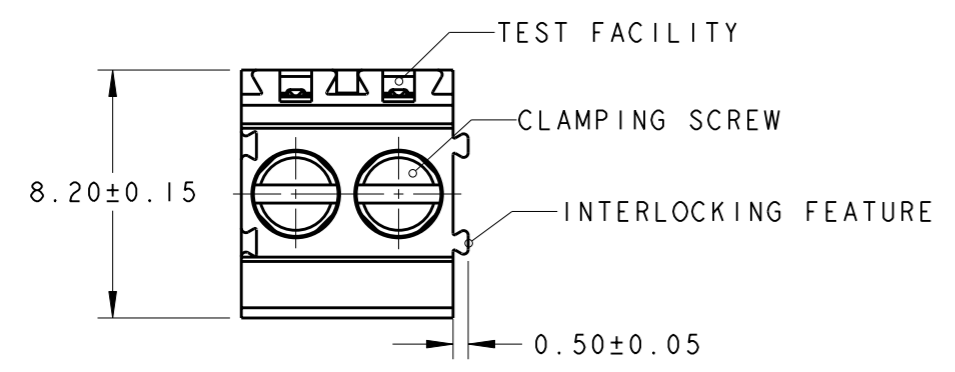


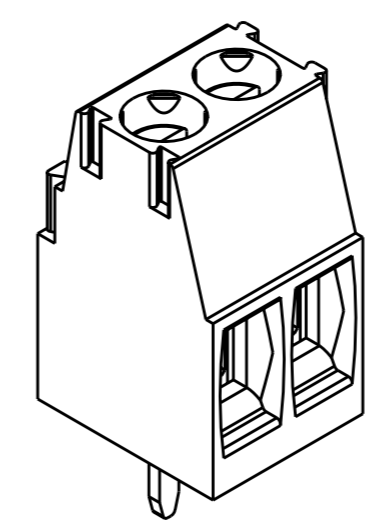
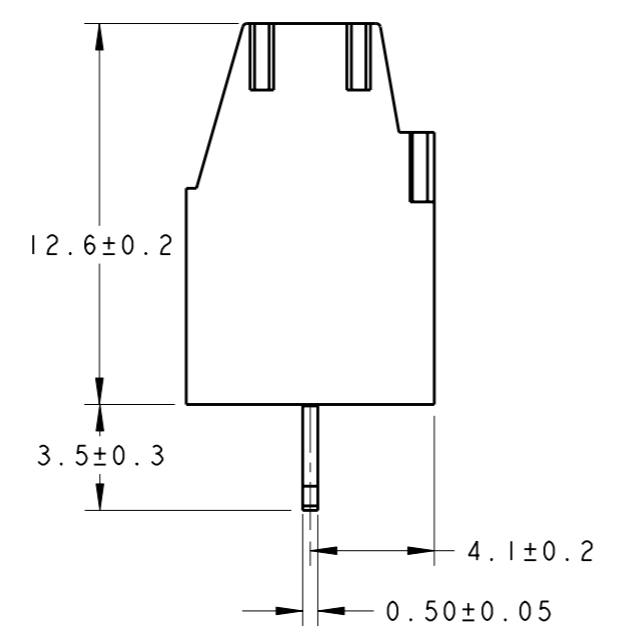
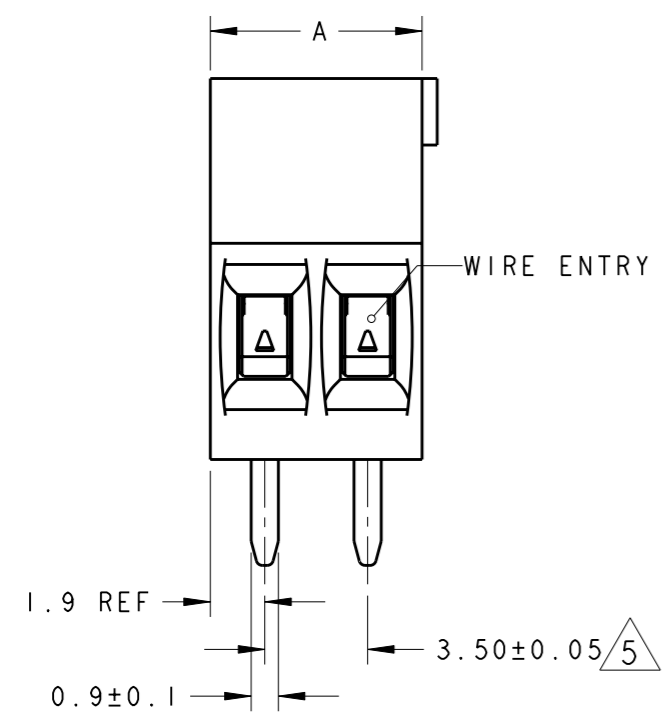
THIS DRAWING IS UNPUBLISHED. RELEASED FOR PUBLICATION 20
 © COPYRIGHT 20 BY TYCO ELECTRONICS CORPORATION. ALL RIGHTS RESERVED.

LOC	DIST	REVISIONS			
P	LTR	DESCRIPTION	DATE	DWN	APVD
FT	0	B3	REVISIED PER ECO-08-016314	03JUL2008	HMR CR

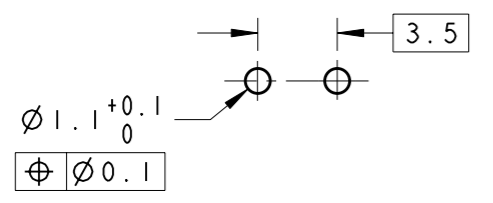


- 1 MATERIALS AND FINISH
 HOUSING : PA 6.6, UL 94-V0, COLOR GREEN.
 CLAMP : BRASS, NICKEL PLATED
 TERMINAL : BRASS, TIN PLATED
 CLAMPING SCREW : M3, BRASS, NICKEL PLATED
2. SUITABLE FOR 1.6-2.4 mm. PC BOARD THICKNESS.
3. END-TO-END STACKABLE W/INTERLOCK WITHOUT LOSS OF CENTERLINE SPACING
4. WIRE SIZE RANGE: 14 - 30 AWG
- 5 NOT CUMULATIVE TOLERANCE
- 6 CAGE CLAMPS TO BE IN THE CLOSED POSITION.

DIM "A"	NO OF POS.	PART NUMBER
14.0	4	2-284391-8
10.5	3	2-284391-7
7.0	2	2-284391-6
87.5	25	2-284391-5
84.0	24	2-284391-4
80.5	23	2-284391-3
77.0	22	2-284391-2
73.5	21	2-284391-1
70.0	20	2-284391-0
66.5	19	1-284391-9
63.0	18	1-284391-8
59.5	17	1-284391-7
56.0	16	1-284391-6
52.5	15	1-284391-5
49.0	14	1-284391-4
45.5	13	1-284391-3
42.0	12	1-284391-2
38.5	11	1-284391-1
35.0	10	1-284391-0
31.5	9	284391-9
28.0	8	284391-8
24.5	7	284391-7
21.0	6	284391-6
17.5	5	284391-5
14.0	4	284391-4
10.5	3	284391-3
7.0	2	284391-2



RECOMMENDED PC BOARD LAYOUT



THIS DRAWING IS A CONTROLLED DOCUMENT FOR TYCO ELECTRONICS CORPORATION. IT IS SUBJECT TO CHANGE AND THE CONTROLLING ENGINEERING ORGANIZATION SHOULD BE CONTACTED FOR THE LATEST REVISION.		DWN 01FEB2002 E. ZANOLINI	Tyco Electronics Harrisburg, PA 17105-3608	
DIMENSIONS: mm	TOLERANCES UNLESS OTHERWISE SPECIFIED: 0 PLC ±.3 1 PLC ±.3 2 PLC ±.25 3 PLC ±. 4 PLC ±. ANGLES ±2	CHK 01FEB2002 E. ZANOLINI	NAME TERMINAL BLOCK PCB, MOUNT STRAIGHT SIDE WIRE ENTRY, STACKING W/ INTERLOCK, 3.5mm PITCH	
		APVD 01FEB2002 D. BLEVENOUR		
MATERIAL	FINISH	PRODUCT SPEC 108-20166	SIZE A3	CAGE CODE 00779
		APPLICATION SPEC 114-20079	DRAWING NO C-284391	RESTRICTED TO
		WEIGHT -	SCALE 3:1 SHEET 1 OF 1 REV B3	
CUSTOMER DRAWING				